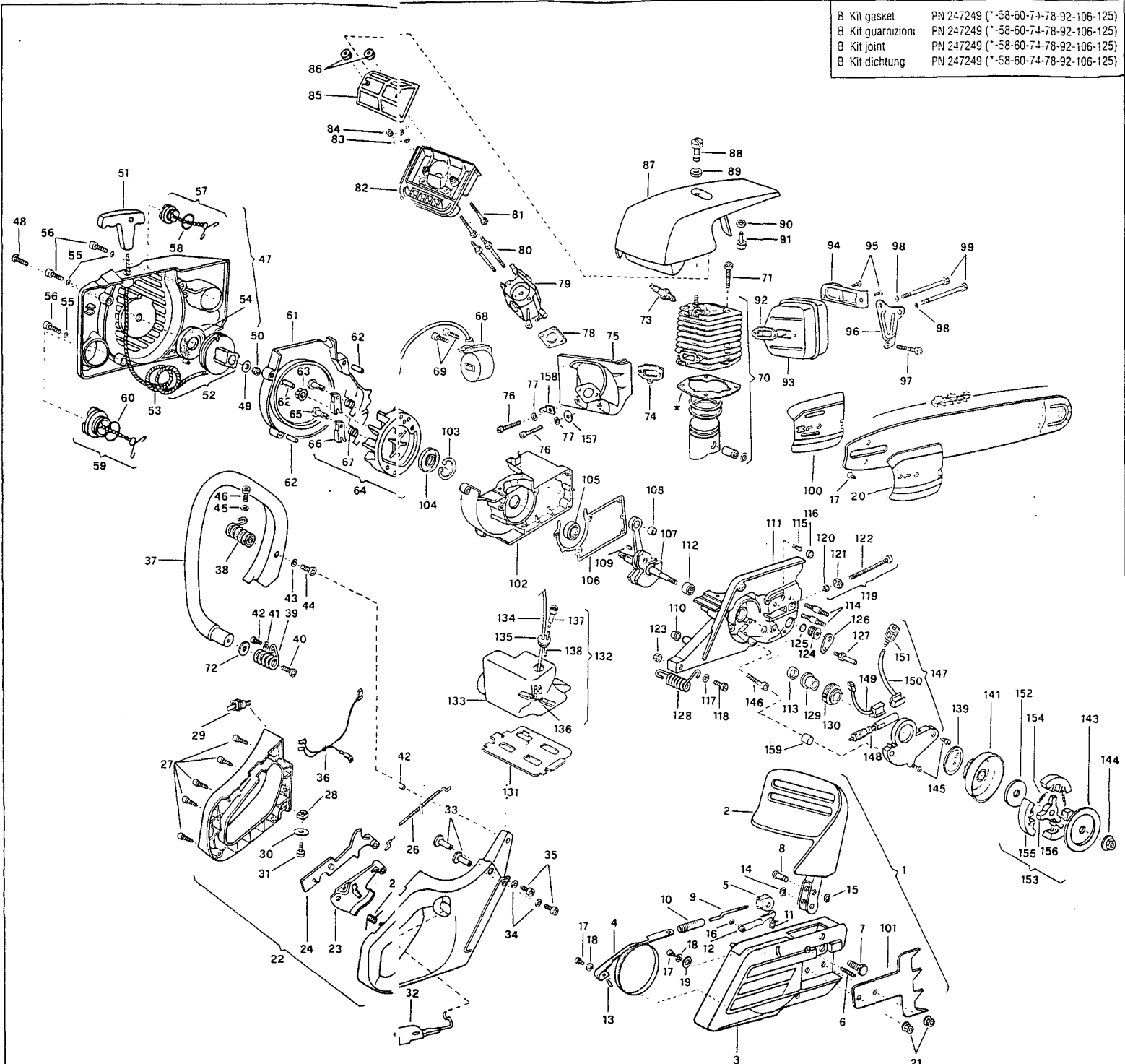


B Kit gasket PN 247249 (\*-58-60-74-78-92-106-125)  
 B Kit guarnizioni PN 247249 (\*-58-60-74-78-92-106-125)  
 B Kit joint PN 247249 (\*-58-60-74-78-92-106-125)  
 B Kit dichtung PN 247249 (\*-58-60-74-78-92-106-125)

C	1	240872	PM 38-40-46	1	86	240322	2	
C		240337	PM 36	1	87	240338	1	
C		240943	TITAN	1	240871	PM 46-TITAN 46	1	
	2	240288		1	88	240320	1	
	3	240287	PM 36	1	89	240321	1	
		240369	PM 38-40-46	1	90	236936	1	
		240311	TITAN	1	91	240272	1	
B	4	227349		1	92	240344	1	
	5	240326		1	93	240291	1	
	6	227351		1	94	240297	1	
	7	227352		1	95	236981	2	
	8	240928		1	96	240299	1	
	9	240929		1	97	236997 M5x30	2	
	10	240690		1	98	227626	2	
	11	227521		1	99	227567 M5x70	2	
	12	229394		1	C 100	240359	1	
	13	227524		1	C	240361 PM 36	1	
	14	235367		1	C 101	240855	1	
	15	235811		1	C	240873 PM 36	1	
	16	240863		2	102	248056	1	
	17	235500		3	103	235899	1	
	18	227259		1	C 104	228872	1	
	19	240360		1	105	235900	1	
C	20	240362	PM 36	1	106	240312	1	
A	21	227762		2	107	240327	PREFIX 02	
C	22	240351	PM 36	2		240355	PREFIX 02	
C	23	240339		1		241255	PREFIX 03	
C	24	240301		1		241256	PREFIX 03	
C	25	240302		1			241256	PM46-TITAN 46
C	26	240303		1	C 108	235742	1	
C	27	240862		5	C	227329	PM 46-TITAN 46	
C	28	229524		1	C 109	102164	PREFIX 02	
C	29	240859		1	C	227631	PREFIX 03	
C	30	227259		1		235672	1	
C	31	240845	M5x16	1	110	235672	1	
C	32	247259		1	111	247252	PREFIX 02	
C	33	240315		2		247251	PM38-40-46	
C	34	235248		2		248057	TITAN 41-46	
C	35	235802	M5x14	2	112	235230	PREFIX 02	
C	36	240370		1		235820	PREFIX 03	
C	37	240281		1	C 113	235229	PREFIX 02	
B	38	240282		1	C	228872	PREFIX 03	
B	39	240289	PM 46-TITAN 46	1	B 114	240349	PM36	
B	40	240285		1	B	240348	PM36	
B	41	235248		1		235658	1	
B	42	235802	M5x14	1		235735	1	
B	43	235248		1		227259	1	
B	44	235803	M5x25	1	118	235806	M5x20	
B	45	227259		1	A 119	240317	1	
B	46	235802	M5x14	1	B 120	235642	1	
C	47	240336	PROMAC	1	B 121	240205	1	
C	48	240945	TITAN	1	B 122	240318	1	
C	49	240316	M5x35	1		235642	1	
C	50	240921		1	124	240310	1	
C	51	229208		1	125	240333	1	
B	52	240884		1	126	240309	1	
B	53	235372		1	C 127	240363	1	
A	54	235042		1	B 128	240286	1	
B	55	235040		1	129	241098	1	
B	56	235248		3	C 130	241096	1	
B	57	240866	M5x30	1	131	240867	1	
B	58	235511		1	132	240920	1	
B	59	240865		1	133	240300	1	
C	60	235510		1	B 134	240868	1	
C	61	247290		1	C 135	235675	1	
C	62	240358		3	A 136	240452	1	
C	63	235218		1	C 137	227582	1	
C	64	235138	PREFIX 02	1	138	229716	1	
		241204	PREFIX 03	1	139	241099	1	
B	65	235516		2	B 141	240260 3/8"	1	
B	66	235517		2	B	240266 325"	1	
B	67	235518		2	142	240323	1	
C	68	241291		1	143	240930	PREFIX 02	
C	69	235806	M5x20	2	144	241275	PREFIX 03	
C	70	FIGURE 2		4	145	94244	PREFIX 02	
A	71	227565	M5x25	1	146	241285	PREFIX 03	
A	72	236934		1	147	229250	2	
B	73	92879		1	B 148	236997 M5x30	1	
B	74	240345		1	C 148	241100	1	
		240271		1	149	240308	1	
		240287	PM 46-TITAN 46	1	150	240874	1	
		236997	M5x30	2	C 151	225062	1	
		236529		2	152	241102	PREFIX 02	
A	78	227692		1		241272	PREFIX 03	
C	79	FIGURE 3		1	C 153	240924	PREFIX 02	
		240328		2	C	241274	PREFIX 03	
		240324	M4x40	2	B 154	240926	3	
		240262		1		227359	3	
		235248		2	156	240925	PREFIX 02	
		235216		2		241273	PREFIX 03	
B	85	240263		1	157	235248	1	
					158	228139	1	
					159	241162	1	



**FIGURE 1**

A = high moving - alta rotazione - haute demande - große Nachfrage  
 B = medium moving - media rotazione - moyenne demande - mittelmäßige Nachfrage  
 C = slow moving - bassa rotazione - basse demande - wenge Nachfrage

	<b>38 cc</b>	<table border="0"> <tr><td>C</td><td>1</td><td></td><td>247253</td><td>1</td></tr> <tr><td>B</td><td>2</td><td>•</td><td>240343</td><td>1</td></tr> <tr><td>C</td><td>3</td><td>•</td><td>247256</td><td>1</td></tr> <tr><td></td><td>4</td><td>••</td><td>235008</td><td>2</td></tr> <tr><td>B</td><td>5</td><td>••</td><td>240005</td><td>2</td></tr> </table>	C	1		247253	1	B	2	•	240343	1	C	3	•	247256	1		4	••	235008	2	B	5	••	240005	2
	C	1		247253	1																						
	B	2	•	240343	1																						
C	3	•	247256	1																							
	4	••	235008	2																							
B	5	••	240005	2																							
<b>40 cc</b>	<table border="0"> <tr><td>C</td><td>1</td><td></td><td>247254</td><td>1</td></tr> <tr><td>B</td><td>2</td><td>•</td><td>240343</td><td>1</td></tr> <tr><td>C</td><td>3</td><td>•</td><td>247257</td><td>1</td></tr> <tr><td></td><td>4</td><td>••</td><td>235008</td><td>2</td></tr> <tr><td>B</td><td>5</td><td>••</td><td>240085</td><td>2</td></tr> </table>	C	1		247254	1	B	2	•	240343	1	C	3	•	247257	1		4	••	235008	2	B	5	••	240085	2	
C	1		247254	1																							
B	2	•	240343	1																							
C	3	•	247257	1																							
	4	••	235008	2																							
B	5	••	240085	2																							
<b>46 cc</b>	<table border="0"> <tr><td>C</td><td>1</td><td></td><td>247255</td><td>1</td></tr> <tr><td>B</td><td>2</td><td>•</td><td>240343</td><td>1</td></tr> <tr><td>C</td><td>3</td><td>•</td><td>247258</td><td>1</td></tr> <tr><td></td><td>4</td><td>••</td><td>229544</td><td>2</td></tr> <tr><td>B</td><td>5</td><td>••</td><td>240353</td><td>1</td></tr> </table>	C	1		247255	1	B	2	•	240343	1	C	3	•	247258	1		4	••	229544	2	B	5	••	240353	1	
C	1		247255	1																							
B	2	•	240343	1																							
C	3	•	247258	1																							
	4	••	229544	2																							
B	5	••	240353	1																							

**FIGURE 2**

<b>WALBRO WT 414</b>				
C	-		<b>240350</b>	carbur.
B	1	•	247260	1
A	2	••	229191	1
	3	•	247261	1
	4	•	237481	1
	5	•	247388	H 1
	6	•	246540	L 1
	7	•	229601	2
C	8	•	247387	1

**FIGURE 3**

A = high moving - alta rotazione - haute demande - große Nachfrage  
 B = medium moving - media rotazione - moyenne demande - mittelmäßige Nachfrage  
 C = slow moving - bassa rotazione - basse demande - wenige Nachfrage